



Southwire™

LIQUIDTIGHT CATALOG

**BUILT FOR DURABILITY.
BUILT FOR RELIABILITY.
BUILT FOR WORK.™**

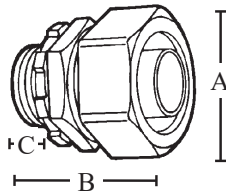
SOUTHWIRE.COM

STRAIGHT LIQUIDTIGHT CONNECTORS

ZINC



470



FEATURES

- Liquidtight, raintight, oiltight
- Straight connectors
- Assembled with a die cast locknut

APPLICATIONS

- For use with metallic and non-metallic "Type B" liquidtight conduit

STANDARD MATERIAL

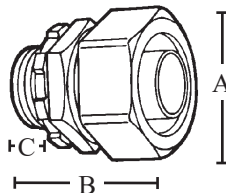
- Zinc die cast

PART #	SIZE	INNER QTY.	MASTER QTY.	WEIGHT/ CASE (LBS.)	A	B	C
470	3/8" 1/2" KO	20	200	36	1.446"	1.26"	.40"
471	1/2"	20	200	40	1.50"	1.385"	.42"
472	3/4"	10	100	23	1.603"	1.72"	.42"
473	1"	5	50	20	1.792"	1.90"	.55"
474	1-1/4"	5	50	30	1.90"	2.29"	.546"
475	1-1/2"	2	20	15	1.737"	2.633"	.52"
476	2"	2	20	24	2.08"	3.156"	.585"
477	2-1/2"	---	1	1	3.025"	4.205"	.775"
478	3"	---	1	2	3.53"	4.91"	.92"
479	3-1/2"	---	1	3	3.66"	5.47"	.92"
480	4"	---	1	4	3.875"	5.925"	.987"

WITH INSULATED THROAT - ZINC



470i



FEATURES

- Liquidtight, raintight, oiltight
- Straight connectors
- Assembled with a die cast locknut
- Insulated throat protects against abrasion damage

APPLICATIONS

- For use with metallic and non-metallic "Type B" liquidtight conduit

STANDARD MATERIAL

- Zinc die cast

PART #	SIZE	INNER QTY.	MASTER QTY.	WEIGHT/ CASE (LBS.)	A	B	C
470i	3/8" 1/2" KO	20	200	40	1.446"	1.260"	.40"
471i	1/2"	20	200	34	1.50"	1.385"	.42"
472i	3/4"	10	100	25	1.603"	1.72"	.42"
473i	1"	5	50	22	1.792"	1.90"	.550"
474i	1-1/4"	5	50	34	1.90"	2.29"	.546"
475i	1-1/2"	2	20	18	1.937"	2.633"	.52"
476i	2"	2	20	28	2.08"	3.156"	.585"

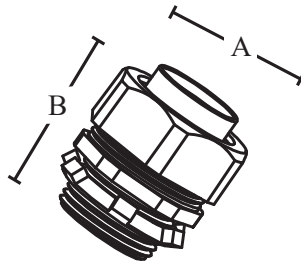
LIQUIDTIGHT

STRAIGHT LIQUIDTIGHT CONNECTORS

WITH INSULATED THROAT - MALLEABLE IRON



470S



PART #	SIZE	INNER QTY.	MASTER QTY.	WEIGHT/ CASE (LBS.)	A	B
470S	3/8" 1/2" KO	20	200	31	1.18"	1.72"
471S	1/2"	20	200	33	1.36"	1.73"
472S	3/4"	10	100	25	1.61"	1.81"
473S	1"	5	50	18	1.89"	1.85"
474S	1-1/4"	5	50	28	2.39"	2.05"
475S	1-1/2"	2	20	15	2.62"	2.38"
476S	2"	2	20	22	3.24"	2.49"
477S	2-1/2"	---	1	2	3.89"	3.21"
478S	3"	---	1	3	4.74"	3.37"
479S	3-1/2"	---	1	4	5.31"	3.40"
480S	4"	---	1	5	5.82"	3.66"
480SA*	5"	---	1	10	6.06"	4.63"
480SB*	6"	---	1	13	7.75"	4.94"

*480SA and 480SB not UL listed

FEATURES

- Liquidtight, raintight, oiltight
- Tapered threaded male hub NPT
- Insulated throat protects conductors from abrasion damage
- Compact slim diameter with small turning radius
- Zinc electro plated for excellent durability

APPLICATIONS

- To secure, ground and seal liquidtight conduit to a box or enclosure
- UL listed liquidtight flexible metal conduit fittings are suitable for use in the following hazardous locations under: NEC 501-4(b), 502-4(a), (2)503-3(a) Class 1 Div.2, Class II Div.1 and 2, Class III Div.1 and 2 and are suitable for grounding in sizes 3/8" through 1-1/2" under NEC 351-1

STANDARD MATERIAL

- Malleable iron
- Steel locknut

STANDARD FINISH

- Zinc plated

CERTIFICATIONS

- UL Standard: UL 514B
- Fed. Spec: W-F-406E, W-F-406D
- NEMA: FB 1-2014

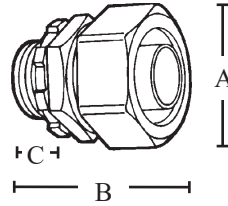
LIQUIDTIGHT

STRAIGHT LIQUIDTIGHT CONNECTORS

WITH INSULATED THROAT - STEEL



470ST



FEATURES

- Liquidtight, raintight, oiltight
- Industrial specification grade, screw machined steel
- Corrosion resistant protection from moisture & oils

APPLICATIONS

- Bonds liquidtight conduit to box or enclosure
- Straight type

STANDARD MATERIAL

- Steel

STANDARD FINISH

- Zinc plated

UL listed liquidtight flexible metal conduit fittings are suitable for use in the following hazardous locations under: NEC 501-4(b), 502-4(a), (2)503-3(a) Class I Div. 2, Class II Div. 1 and 2, Class III Div. 1 and 2 are suitable for grounding in sizes 3/8" through 1-1/2" under NEC 351-1

PART #	SIZE	INNER QTY.	MASTER QTY.	WEIGHT/ CASE (LBS.)	A	B	C
470ST	3/8" 1/2" KO	20	200	25	1.09"	1.19"	.63"
471ST	1/2"	20	200	31	1.19"	1.34"	.63"
472ST	3/4"	10	100	23	1.43"	1.43"	.63"
473ST	1"	5	50	18	1.75"	1.63"	.66"
474ST	1-1/4"	5	50	23	2.16"	1.84"	.67"
475ST	1-1/2"	2	20	12	2.38"	2"	.72"
476ST	2"	2	20	15	2.88"	2.13"	.72"

WITH INSULATED THROAT - 304 STAINLESS STEEL



LTCSS-38



FEATURES

- For use with metallic and non-metallic type B
- Connectors can be easily disassembled and reused
- Sealing washers included
- Heavy duty stainless steel lock nuts included

APPLICATIONS

- Connects liquid-tight conduit to a box or enclosure in wet, damp & corrosive locations

STANDARD MATERIAL

- 304 stainless steel

CERTIFICATIONS

- UL Listed, CSA Listed

PART #	SIZE	MASTER QTY.
LTCSS-38	3/8"	20
LTCSS-50	1/2"	20
LTCSS-75	3/4"	10
LTCSS-100	1"	5
LTCSS-125	1-1/4"	5
LTCSS-150	1-1/2"	5
LTCSS-200	2"	5

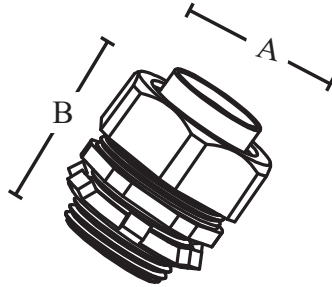
LIQUIDTIGHT

STRAIGHT LIQUIDTIGHT CONNECTORS

WITH INSULATED THROAT - MALLEABLE IRON
HOT DIP GALVANIZED



471HDG



FEATURES

- Hot dip galvanized
- Liquidtight, raintight, oiltight
- Tapered threaded male hub NPT
- Insulated throat protects conductors from abrasion damage
- Compact slim diameter with small turning radius

APPLICATIONS

- To secure, ground and seal liquidtight conduit to a box or enclosure
- UL listed liquidtight flexible metal conduit fittings are suitable for use in the following hazardous locations under: NEC 501-4(b), 502-4(a), (2)503-3(a) Class 1 Div.2, Class II Div.1 and 2, Class III Div.1 and 2 and are suitable for grounding in sizes 3/8" through 1-1/2" under NEC 351-1

STANDARD MATERIAL

- Malleable iron
- Steel locknut

STANDARD FINISH

- Hot dip galvanized

CERTIFICATIONS

- UL Standard: UL 514B
- Fed. Spec: W-F-406E, W-F-406D
- NEMA: FB 1-2014



UL listed liquidtight flexible metal conduit fittings are suitable for use in the following hazardous locations under: NEC 501-4(b), 502-4(a), (2)503-3(a) Class 1 Div. 2, Class II Div. 1 and 2, Class III Div. 1 and 2 are suitable for grounding in sizes 3/8" through 1-1/2" under NEC 351-1

PART #	CONDUIT SIZE	INNER QTY.	MASTER QTY.	WEIGHT/ CASE (LBS.)	A	B
471HDG	1/2"	20	200	33	1.36"	1.73"
472HDG	3/4"	10	100	24	1.61"	1.81"
473HDG	1"	5	50	18	1.89"	1.85"
474HDG	1-1/4"	5	50	30	2.39"	2.05"
475HDG	1-1/2"	2	20	15	2.62"	2.38"
476HDG	2"	2	20	23	3.24"	2.49"
477HDG	2-1/2"	---	1	2	3.89"	3.21"
478HDG	3"	---	1	3	4.74"	3.37"
479HDG	3-1/2"	---	1	5	5.31"	3.40"
480HDG	4"	---	1	5	5.82"	3.66"

LIQUIDTIGHT

STRAIGHT LIQUIDTIGHT CONNECTORS

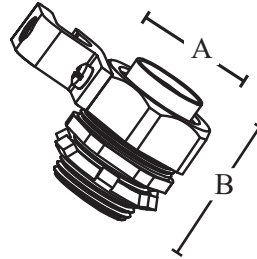
WITH GROUNDING LUG - MALLEABLE IRON



471SGR



473CSGR



FEATURES

- Liquidtight, raintight, oiltight
- Aluminum or Copper Lay-in grounding lug
- Insulated throat protects conductors from abrasion damage
- Zinc electro plated for excellent durability

APPLICATIONS

- Use to connect liquidtight conduit and terminate an external bonding conductor that runs parallel to the conduit
- The NEC code specifies length limitations and that the bonding jumper must be parallel to the conduit
- UL listed liquidtight flexible metal conduit fittings are suitable for use in the following hazardous locations under: NEC 501-4(b), 502-4(a), (2)503-3(a) Class 1 Div.2, Class II Div.1 and 2, Class III Div.1 and 2 and are suitable for grounding in sizes 3/8" through 1-1/2" under NEC 351-1

STANDARD MATERIAL

- Malleable iron
- Steel locknut
- Aluminum or Copper lug

STANDARD FINISH

- Zinc plated

CERTIFICATIONS

- UL 467 - UL 486A
- Fed. Spec: W-S-610E
- NEMA: GR 1-2017



PART #	SIZE	LUG SIZE	INNER QTY.	MASTER QTY.	WEIGHT/ CASE (LBS.)	A	B
ALUMINUM GROUNDING LUG							
470SGR	3/8"	14-4	10	100	22	1.18"	1.72"
471SGR	1/2"	14-4	10	100	23	1.36"	1.73"
472SGR	3/4"	14-4	5	50	18	1.61"	1.81"
473SGR	1"	14-4	5	50	24	1.89"	1.85"
474SGR	1-1/4"	14-4	2	20	16	2.39"	2.05"
475SGR	1-1/2"	14-4	2	20	18	2.62"	2.38"
476SGR	2"	14-4	2	20	27	3.24"	2.49"
477SGR	2-1/2"	1/0-14	---	1	7	3.89"	3.21"
478SGR	3"	1/0-14	---	1	8	4.74"	3.37"
479SGR	3-1/2"	6/250	---	1	8	5.31"	3.40"
480SGR	4"	6/250	---	1	10	5.82"	3.66"
COPPER GROUNDING LUG							
471CSGR	1/2"	14-4	10	100	24	1.36"	1.73"
472CSGR	3/4"	14-4	5	50	16	1.61"	1.81"
473CSGR	1"	14-4	5	50	22	1.89"	1.85"
474CSGR	1-1/4"	14-4	2	20	14	2.39"	2.05"
475CSGR	1-1/2"	14-4	2	20	17	2.62"	2.38"
476CSGR	2"	14-4	2	20	26	3.24"	2.49"
MSTR-250-CL	2-1/2"	1/0-14	---	1	7	3.89"	3.21"
MSTR-300-CL	3"	1/0-14	---	1	8	4.74"	3.37"
MSTR-350-CL	3-1/2"	6/250	---	1	8	5.31"	3.40"
MSTR-400-CL	4"	6/250	---	1	10	5.82"	3.66"

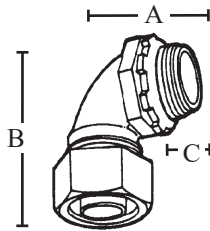
LIQUIDTIGHT

90° LIQUIDTIGHT CONNECTORS

ZINC



491



FEATURES

- Liquidtight, raintight, oiltight
- 90° connectors
- Assembled with a die cast locknut

APPLICATIONS

- For use with metallic and non-metallic "Type B" liquidtight conduit

STANDARD MATERIAL

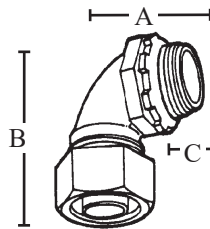
- Zinc die cast

PART #	SIZE	INNER QTY.	MASTER QTY.	WEIGHT/ CASE (LBS.)	A	B	C
490	3/8" 1/2" KO	10	100	27	2.062"	2.34"	.52"
491	1/2"	10	100	28	2.22"	2.34"	.52"
492	3/4"	10	100	38	2.55"	3.55"	.68"
493	1"	5	50	32	2.82"	3.785"	.67"
494	1-1/4"	2	20	20	3.362"	3.96"	.70"
495	1-1/2"	2	20	26	3.45"	4.13"	.70"
496	2"	1	10	19	4.036"	4.70"	.57"
497	2-1/2"	---	1	4	5.215"	5.375"	.77"
498	3"	---	1	5	6.10"	6.50"	1.10"
499	3-1/2"	---	1	6	6.715"	7.45"	1.10"
500	4"	---	1	7	6.78"	8"	1.10"

WITH INSULATED THROAT - ZINC



490i



FEATURES

- Liquidtight, raintight, oiltight
- 90° connectors
- Assembled with a die cast locknut
- Insulated throat protects against abrasion damage

APPLICATIONS

- For use with metallic and non-metallic "Type B" liquidtight conduit

STANDARD MATERIAL

- Zinc die cast

PART #	SIZE	INNER QTY.	MASTER QTY.	WEIGHT/ CASE (LBS.)	A	B	C
490i	3/8" 1/2" KO	10	100	30	2.062"	2.34"	.52"
491i	1/2"	10	100	27	2.22"	2.34"	.52"
492i	3/4"	10	100	39	2.55"	3.55"	.68"
493i	1"	5	50	33	2.82"	3.785"	.67"
494i	1-1/4"	2	20	21	3.362"	3.96"	.70"
495i	1-1/2"	2	20	26	3.45"	4.13"	.70"
496i	2"	1	10	20	4.036"	4.70"	.57"

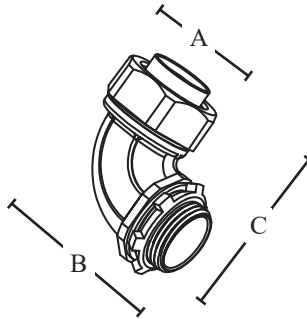
LIQUIDTIGHT

90° LIQUIDTIGHT CONNECTORS

WITH INSULATED THROAT - MALLEABLE IRON



490S



FEATURES

- Liquidtight, raintight, oiltight
- Suitable for wet location use
- Tapered threaded male hub NPT
- Insulated throat protects conductors from abrasion damage
- Compact slim diameter with small turning radius
- Zinc electro plated for excellent durability

APPLICATIONS

- To secure, ground and seal liquidtight conduit to a box or enclosure
- UL listed liquidtight flexible metal conduit fittings are suitable for use in the following hazardous locations under: NEC 501-4(b), 502-4(a), (2)503-3(a) Class 1 Div.2, Class II Div.1 and 2, Class III Div.1 and 2 and are suitable for grounding in sizes 3/8" through 1-1/2" under NEC 351-I

STANDARD MATERIAL

- Malleable iron
- Steel locknut

STANDARD FINISH

- Zinc plated



PART #	SIZE	INNER QTY.	MASTER QTY.	WEIGHT/ CASE (LBS.)	A	B	C
490S	3/8" 1/2" KO	10	100	26	1.18"	1.96"	2.47"
491S	1/2"	10	100	28	1.36"	2.10"	2.54"
492S	3/4"	10	100	41	1.61"	2.45"	2.82"
493S	1"	5	50	31	1.89"	2.83"	3.08"
494S	1-1/4"	2	20	20	2.39"	3.15"	3.53"
495S	1-1/2"	2	20	25	2.62"	3.50"	4.17"
496S	2"	1	10	19	3.24"	4.02"	4.69"
497S	2-1/2"	---	1	5	3.89"	6.23"	6.74"
498S	3"	---	1	7	4.74"	6.91"	7.52"
499S	3-1/2"	---	1	9	5.31"	7.57"	7.93"
500S	4"	---	1	14	5.82"	8.07"	8.72"

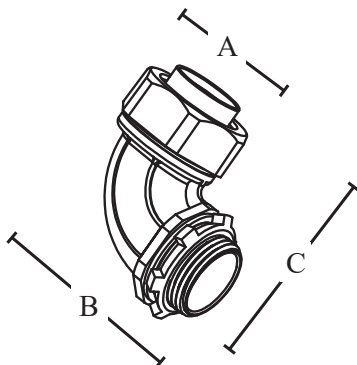
LIQUIDTIGHT

90° LIQUIDTIGHT CONNECTORS

WITH INSULATED THROAT - MALLEABLE IRON
HOT DIP GALVANIZED



491HDG



FEATURES

- Hot dip galvanized
- Liquidtight, raintight, oiltight
- Suitable for wet location use
- Tapered threaded male hub NPT
- Insulated throat protects conductors from abrasion damage
- Compact slim diameter with small turning radius

APPLICATIONS

- To secure, ground and seal liquidtight conduit to a box or enclosure
- UL listed liquidtight flexible metal conduit fittings are suitable for use in the following hazardous locations under: NEC 501-4(b), 502-4(a), (2)503-3(a) Class 1 Div.2, Class II Div.1 and 2, Class III Div.1 and 2 and are suitable for grounding in sizes 3/8" through 1-1/2" under NEC 351-1

STANDARD MATERIAL

- Malleable iron
- Steel locknut

STANDARD FINISH

- Hot dip galvanized



UL listed liquidtight flexible metal conduit fittings are suitable for use in the following hazardous locations under: NEC 501-4(b), 502-4(a), (2)503-3(a) Class 1 Div. 2, Class II Div. 1 and 2, Class III Div. 1 and 2 are suitable for grounding in sizes 3/8" through 1-1/2" under NEC 351-1

PART #	CONDUIT SIZE	INNER QTY.	MASTER QTY.	WEIGHT/ CASE (LBS.)	A	B	C
491HDG	1/2"	10	100	28	1.36"	2.10"	2.54"
492HDG	3/4"	10	100	41	1.61"	2.45"	2.82"
493HDG	1"	5	50	31	1.89"	2.83"	3.08"
494HDG	1-1/4"	2	20	21	2.39"	3.15"	3.53"
495HDG	1-1/2"	2	20	25	2.62"	3.50"	4.17"
496HDG	2"	---	10	18	3.24"	4.02"	4.69"
498HDG	3"	---	1	7	4.74"	6.91"	7.52"

LIQUIDTIGHT

90° LIQUIDTIGHT CONNECTORS

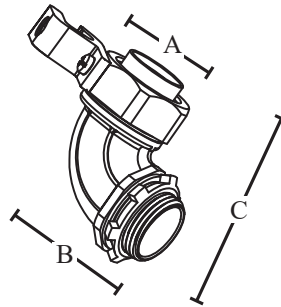
WITH GROUNDING LUG - MALLEABLE IRON



490SGR



490CSGR



FEATURES

- Liquidtight, raintight, oiltight
- Aluminum or Copper Lay-in grounding lug
- Insulated throat protects conductors from abrasion damage
- Zinc electro plated for excellent durability

APPLICATIONS

- Use to connect liquidtight conduit and terminate an external bonding conductor that runs parallel to the conduit
- The NEC code specifies length limitations and that the bonding jumper must be parallel to the conduit
- UL listed liquidtight flexible metal conduit fittings are suitable for use in the following hazardous locations under: NEC 501-4(b), 502-4(a), (2)503-3(a) Class 1 Div.2, Class II Div.1 and 2, Class III Div.1 and 2 and are suitable for grounding in sizes 3/8" through 1-1/2" under NEC 351-1

STANDARD MATERIAL

- Malleable iron
- Steel locknut
- Aluminum or Copper lug

STANDARD FINISH

- Zinc plated

CERTIFICATIONS

- UL 467 - UL 486A
- Fed. Spec: W-S-610E
- NEMA: GR 1-2017



PART #	SIZE	LUG SIZE	INNER QTY.	MASTER QTY.	WEIGHT/ CASE (LBS.)	A	B	C
ALUMINUM GROUNDING LUG								
490SGR	3/8"	14-4	5	50	17	1.18"	1.96"	2.47"
491SGR	1/2"	14-4	5	50	24	1.36"	2.10"	2.54"
492SGR	3/4"	14-4	2	20	16	1.61"	2.45"	2.82"
493SGR	1"	14-4	2	20	17	1.89"	2.83"	3.08"
494SGR	1-1/4"	14-4	2	20	25	2.39"	3.15"	3.53"
495SGR	1-1/2"	14-4	2	20	29	2.62"	3.50"	4.17"
496SGR	2"	14-4	2	20	42	3.24"	4.02"	4.69"
497SGR	2-1/2"	1/0-14	---	1	9	3.89"	6.23"	6.74"
498SGR	3"	1/0-14	---	1	11	4.74"	6.91"	7.52"
499SGR	3-1/2"	6/250	---	1	13	5.31"	7.57"	7.93"
500SGR	4"	6/250	---	1	15	5.82"	8.07"	8.72"
COPPER GROUNDING LUG								
491CSGR	1/2"	14-4	5	50	18	1.36"	2.10"	2.54"
492CSGR	3/4"	14-4	2	20	11	1.61"	2.45"	2.82"
493CSGR	1"	14-4	2	20	15	1.89"	2.83"	3.08"
494CSGR	1-1/4"	14-4	2	20	21	2.39"	3.15"	3.53"
495CSGR	1-1/2"	14-4	2	20	26	2.62"	3.50"	4.17"
496CSGR	2"	14-4	2	20	41	3.24"	4.02"	4.69"

LIQUIDTIGHT

90° LIQUIDTIGHT CONNECTORS

304 STAINLESS STEEL



LTCSS-5090



PART #	SIZE	MASTER QTY.
LTCSS-5090	1/2"	20
LTCSS-7590	3/4"	20
LTCSS-10090	1"	5
LTCSS-12590	1-1/4"	5
LTCSS-15090	1-1/2"	5
LTCSS-20090	2"	5

FEATURES

- For use with metallic and non-metallic type B
- Connectors can be easily disassembled and reused
- Sealing washers included
- Heavy duty stainless steel lock nuts included

APPLICATIONS

- Connects liquid-tight conduit to a box or enclosure in wet, damp & corrosive locations

STANDARD MATERIAL

- 304 stainless steel

CERTIFICATIONS

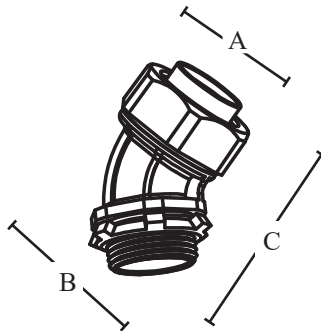
- UL Listed, CSA Listed

45° LIQUIDTIGHT CONNECTORS

WITH INSULATED THROAT - MALLEABLE IRON



230S



PART #	SIZE	INNER QTY.	MASTER QTY.	WEIGHT/ CASE (LBS.)	A	B	C
230S	3/8" 1/2" KO	10	100	24	1.18"	1.39"	2.51"
231S	1/2"	10	100	28	1.36"	1.50"	2.51"
232S	3/4"	10	100	42	1.61"	1.73"	2.70"
233S	1"	5	50	32	1.89"	2.11"	3.05"
234S	1-1/4"	2	20	22	2.39"	2.56"	3.65"
235S	1-1/2"	2	20	32	2.62"	2.77"	4.01"
236S	2"	2	20	49	3.24"	3.38"	4.64"
237S	2-1/2"	---	1	5	3.89"	4.68"	6.46"
238S	3"	---	1	7	4.74"	5.33"	7.01"
239S	3-1/2"	---	1	10	5.31"	5.81"	7.33"
240S	4"	---	1	12	5.82"	6.42"	8.20"

FEATURES

- Liquidtight, raintight, oiltight
- Suitable for wet locations
- Tapered threaded male hub NPT
- Insulated throat protects conductors from abrasion damage
- Compact slim diameter with small turning radius
- Zinc electro plated for excellent durability

APPLICATIONS

- To secure, ground and seal liquidtight conduit to a box or enclosure
- UL listed liquidtight flexible metal conduit fittings are suitable for use in the following hazardous locations under: NEC 501-4(b), 502-4(a), (2)503-3(a) Class 1 Div.2, Class II Div.1 and 2, Class III Div.1 and 2 and are suitable for grounding in sizes 3/8" through 1-1/2" under NEC 351-1

STANDARD MATERIAL

- Malleable iron
- Steel locknut

STANDARD FINISH

- Zinc plated

LIQUIDTIGHT

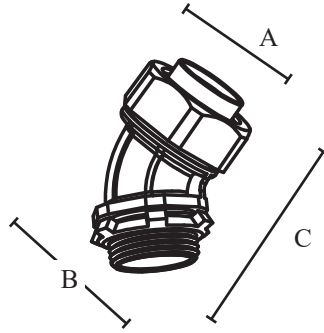
45° LIQUIDTIGHT CONNECTORS

WITH INSULATED THROAT - MALLEABLE IRON

HOT DIP GALVANIZED



231HDG



FEATURES

- Hot dip galvanized
- Liquidtight, raintight, oiltight
- Suitable for wet locations
- Tapered threaded male hub NPT
- Insulated throat protects conductors from abrasion damage
- Compact slim diameter with small turning radius

APPLICATIONS

- To secure, ground and seal liquidtight conduit to a box or enclosure
- UL listed liquidtight flexible metal conduit fittings are suitable for use in the following hazardous locations under: NEC 501-4(b), 502-4(a), (2)503-3(a) Class 1 Div.2, Class II Div.1 and 2, Class III Div.1 and 2 and are suitable for grounding in sizes 3/8" through 1-1/2" under NEC 351-1

STANDARD MATERIAL

- Malleable iron
- Steel locknut

STANDARD FINISH

- Hot dip galvanized



UL listed liquidtight flexible metal conduit fittings are suitable for use in the following hazardous locations under: NEC 501-4(b), 502-4(a), (2)503-3(a) Class 1 Div. 2, Class II Div. 1 and 2, Class III Div. 1 and 2 are suitable for grounding in sizes 3/8" through 1-1/2" under NEC 351-1

PART #	CONDUIT SIZE	INNER QTY.	MASTER QTY.	WEIGHT/ CASE (LBS.)	A	B	C
231HDG	1/2"	10	100	25	1.36"	1.50"	2.51"
232HDG	3/4"	10	100	35	1.61"	1.73"	2.70"
233HDG	1"	5	50	26	1.89"	2.11"	3.05"
234HDG	1-1/4"	2	20	19	2.39"	2.56"	3.65"
235HDG	1-1/2"	2	20	23	2.62"	2.77"	4.01"
236HDG	2"	2	20	34	3.24"	3.38"	4.64"

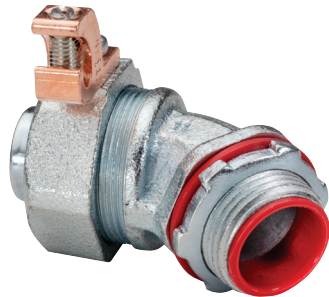
LIQUIDTIGHT

45° LIQUIDTIGHT CONNECTORS

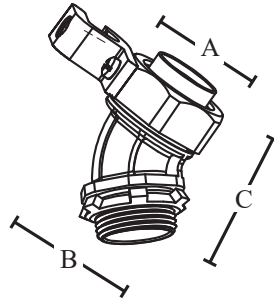
WITH GROUNDING LUG - MALLEABLE IRON



230SGR



230CSGR



FEATURES

- Liquidtight, raintight, oiltight
- Aluminum or Copper Lay-in grounding lug
- Insulated throat protects conductors from abrasion damage
- Zinc electro plated for excellent durability

APPLICATIONS

- Use to connect liquidtight conduit and terminate an external bonding conductor that runs parallel to the conduit
- The NEC code specifies length limitations and that the bonding jumper must be parallel to the conduit
- UL listed liquidtight flexible metal conduit fittings are suitable for use in the following hazardous locations under: NEC 501-4(b), 502-4(a), (2)503-3(a) Class 1 Div.2, Class II Div.1 and 2, Class III Div.1 and 2 and are suitable for grounding in sizes 3/8" through 1-1/2" under NEC 351-I

STANDARD MATERIAL

- Malleable iron
- Steel locknut
- Aluminum or Copper lug

STANDARD FINISH

- Zinc plated

CERTIFICATIONS

- UL 467 - UL 486A
- Fed. Spec: W-S-610E
- NEMA: GR 1-2017



PART #	SIZE	LUG SIZE	INNER QTY.	MASTER QTY.	WEIGHT/CASE (LBS.)	A	B	C
ALUMINUM GROUNDING LUG								
230SGR	3/8"	14-4	5	50	16	1.18"	1.39"	2.51"
231SGR	1/2"	14-4	5	50	17	1.36"	1.50"	2.51"
232SGR	3/4"	14-4	2	50	24	1.61"	1.73"	2.70"
233SGR	1"	14-4	2	20	16	1.89"	2.11"	3.05"
234SGR	1-1/4"	14-4	2	20	24	2.39"	2.56"	3.65"
235SGR	1-1/2"	14-4	2	20	26	2.62"	2.77"	4.01"
236SGR	2"	14-4	2	20	37	3.24"	3.38"	4.64"
237SGR	2-1/2"	1/0-14	---	1	8	3.89"	4.68"	6.46"
238SGR	3"	1/0-14	---	1	11	4.74"	5.33"	7.01"
239SGR	3-1/2"	6/250	---	1	12	5.31"	5.81"	7.33"
240SGR	4"	6/250	---	1	14	5.82"	6.42"	8.20"
COPPER GROUNDING LUG								
231CSGR	1/2"	14-4	5	50	17	1.36"	1.50"	2.51"
232CSGR	3/4"	14-4	5	50	24	1.61"	1.73"	2.70"
233CSGR	1"	14-4	2	20	16	1.89"	2.11"	3.05"
234CSGR	1-1/4"	14-4	2	20	24	2.39"	2.56"	3.65"
235CSGR	1-1/2"	14-4	2	20	26	2.62"	2.77"	4.01"
236CSGR	2"	14-4	2	20	37	3.24"	3.38"	4.64"

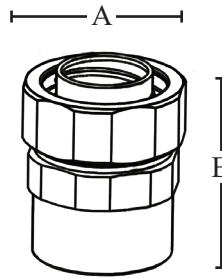
LIQUIDTIGHT

COMBINATION COUPLINGS

LIQUIDTIGHT TO RIGID - STEEL



50SLT



FEATURES

- Liquidtight, raintight, oiltight
- NPSM thread
- Labor saving

APPLICATIONS

- Use to join liquidtight metal conduit (LFMC) to Rigid/IMC conduit between 2 different raceways
- Suitable for use in wet locations
- Raintight, concrete tight

STANDARD MATERIAL

- Steel

STANDARD FINISH

- Zinc plated

CERTIFICATIONS

- UL Standard: UL 514B
- Fed. Spec: A-A-50553
- NEMA: FB 1

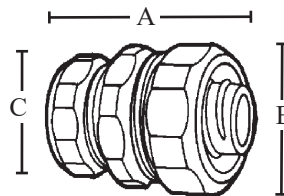


PART #	SIZE	INNER QTY.	MASTER QTY.	C	A	B
50SLT	3/8" - 1/2"	20	200	33	1.10"	1.78"
51SLT	1/2"	20	200	29	1.17"	1.78"
52SLT	3/4"	10	100	23	1.43"	1.94"
53SLT	1"	5	50	18	1.76"	2.19"
54SLT	1-1/4"	5	50	30	2.16"	2.23"
55SLT	1-1/2"	-	12	8	2.38"	2.62"
56SLT	2"	-	5	5	2.87"	2.67"

COMPRESSION TYPE - EMT TO LIQUIDTIGHT - STEEL



271



FEATURES

- Liquidtight, raintight, oiltight
- Compression type
- EMT to liquidtight
- Reusable ferrule

APPLICATIONS

- Use to connect LT conduit to EMT 1/2" thru 1", ideal for rooftop HVAC air conditioners and motor hook-ups
- Can be used with EMT indoors only

STANDARD MATERIAL

- Steel

STANDARD FINISH

- Zinc plated



PART #	SIZE	INNER QTY.	MASTER QTY.	WEIGHT/ CASE (LBS.)	A	B	C
271	1/2"	25	250	20	1.64"	1.39"	1.09"
272	3/4"	20	200	14	1.75"	1.72"	1.30"
273	1"	10	100	16	2"	1.75"	1.50"

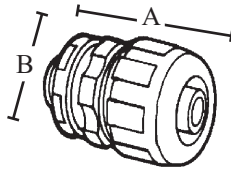
LIQUIDTIGHT

STRAIGHT LIQUIDTIGHT CONNECTORS

GRAY - NYLON



P471



PART #	SIZE	INNER QTY.	MASTER QTY.	WEIGHT/ CASE (LBS.)	A	B
P470	3/8" 1/2" KO	25	100	7	2.04"	1.43"
P471	1/2"	25	100	6	2.11"	1.43"
P472	3/4"	10	100	8	2.20"	1.68"
P473	1"	5	50	12	2.28"	1.99"
P474	1-1/4"	5	50	12	2.46"	2.39"
P475	1-1/2"	5	20	14	2.72"	2.65"
P476	2"	2	20	9	3.05"	3.22"

FEATURES

- Liquidtight, raintight, oiltight
- For flexible non-metallic liquidtight tubing
- Easy assembly avoids having to remove the compression nut
- Straight type
- Gray

APPLICATIONS

- For use in wet and dry locations

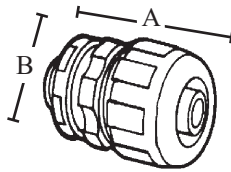
STANDARD MATERIAL

- 6/6 Nylon

BLACK - NYLON



P470B



PART #	SIZE	INNER QTY.	MASTER QTY.	WEIGHT/ CASE (LBS.)	A	B
P470B	3/8" 1/2" KO	25	100	7	2.04"	1.43"
P471B	1/2"	25	100	6	2.11"	1.43"
P472B	3/4"	10	100	8	2.20"	1.68"
P473B	1"	5	50	12	2.28"	1.99"
P474B	1-1/4"	5	50	12	2.46"	2.39"
P475B	1-1/2"	5	50	14	2.72"	2.65"
P476B	2"	2	20	9	3.05"	3.22"

FEATURES

- Liquidtight, raintight, oiltight
- For flexible non-metallic liquidtight tubing
- Easy assembly avoids having to remove the compression nut
- Straight type
- Black

APPLICATIONS

- For use in wet and dry locations

STANDARD MATERIAL

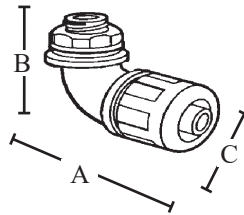
- 6/6 Nylon

90° LIQUIDTIGHT CONNECTORS

GRAY - NYLON



P491



FEATURES

- Liquidtight, raintight, oiltight
- For flexible non-metallic liquidtight tubing
- Easy assembly avoids having to remove the compression nut
- 90° angle
- Gray

APPLICATIONS

- For use in wet and dry locations

STANDARD MATERIAL

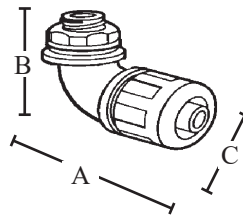
- 6/6 Nylon

PART #	SIZE	INNER QTY.	MASTER QTY.	WEIGHT/ CASE (LBS.)	A	B	C
P490	3/8" 1/2" KO	10	100	9	2.56"	2.14"	1.09"
P491	1/2"	10	100	8	2.56"	2.14"	1.09"
P492	3/4"	10	100	11	2.84"	2.38"	1.30"
P493	1"	5	50	8	2.25"	2.81"	1.50"
P494	1-1/4"	2	20	8	3.96"	3.36"	2.40"
P495	1-1/2"	2	20	10	4.13"	3.45"	2.68"
P496	2"	1	10	9	4.68"	4.04"	3.31"

BLACK - NYLON



P490B



FEATURES

- Liquidtight, raintight, oiltight
- For flexible non-metallic liquidtight tubing
- Easy assembly avoids having to remove the compression nut
- 90° angle
- Black

APPLICATIONS

- For use in wet and dry locations

STANDARD MATERIAL

- 6/6 Nylon

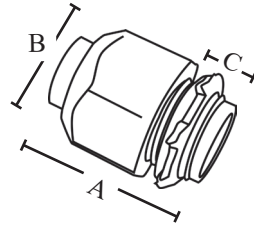
PART #	SIZE	INNER QTY.	MASTER QTY.	WEIGHT/ CASE (LBS.)	A	B	C
P490B	3/8" 1/2" KO	10	100	9	2.56"	2.14"	1.09"
P491B	1/2"	10	100	8	2.56"	2.14"	1.09"
P492B	3/4"	10	100	11	2.84"	2.38"	1.30"
P493B	1"	5	50	8	2.25"	2.81"	1.50"
P494B	1-1/4"	2	20	8	3.96"	3.36"	2.40"
P495B	1-1/2"	2	20	10	4.13"	3.45"	2.68"
P496B	2"	1	10	9	4.68"	4.04"	3.31"

STRAIGHT LIQUIDTIGHT CONNECTORS

ONE PIECE TYPE - PVC



1501



FEATURES

- Liquidtight, raintight, oiltight
- One piece type easily affixes to conduit
- Straight

APPLICATIONS

- For use in wet and dry locations

STANDARD MATERIAL

- PVC

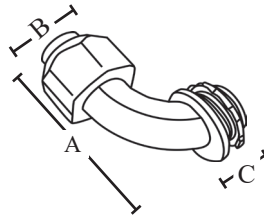
PART #	SIZE	INNER QTY.	MASTER QTY.	WEIGHT/CASE (LBS.)	A	B	C
1501	1/2"	25	100	5	1.75"	.50"	1.25"
1502	3/4"	25	100	8	1.80"	.625"	1.50"

90° LIQUIDTIGHT CONNECTORS

ONE PIECE TYPE - PVC



1522



FEATURES

- Liquidtight, raintight, oiltight
- Recommended design for appliance or fixture installations
- 90° angle

APPLICATIONS

- Dry location use

STANDARD MATERIAL

- PVC

PART #	SIZE	INNER QTY.	MASTER QTY.	WEIGHT/CASE (LBS.)	A	B	C
1521	1/2"	10	100	8	1.875"	.50"	3.125"
1522	3/4"	10	100	11	2.375"	.625"	3.50"

LIQUIDTIGHT

TOP-FLEX 1 TUBING

NON-METALLIC - GRAY



HF112

FEATURES

- Resists corrosion, abrasion, oil, water, acid, metal shavings, and rough environments
- UL Type B flexible nonmetallic liquidtight conduit

APPLICATIONS

- Indoor or outdoor use
- Hazardous Locations - where necessary for flexible connections within hazardous locations per the following:
 - Class 1, Div. 2 - 2005 NEC 501.10(B)(2)
 - Class 2, Div. 1 - 2005 NEC 502.10(A)(2)
 - Class 2, Div. 2 - 2005 NEC 502.10(B)(2)
 - Class 3, Div. 1 - 2005 NEC 503.10(A)(2)
 - Class 3, Div. 2 - 2005 NEC 503.10(B)

STANDARD MATERIAL

- Integral Rigid and flexible PVC construction



PART #	SIZE	INNER QTY.	MASTER QTY.	WEIGHT/CASE (LBS.)	OUTSIDE DIAMETER		INSIDE DIAMETER		WALL THICKNESS
					MIN.	MAX.	MIN.	MAX.	
HF138	3/8"	---	100'	10	.69"	.71"	.484"	.504"	.21"
HF112	1/2"	---	100'	13	.82"	.84"	.622"	.642"	.21"
HF112R	1/2"	REEL	1000'	130	.82"	.84"	.622"	.642"	.21"
HF134	3/4"	---	100'	18	1.03"	1.05"	.82"	.84"	.21"
HF134R	3/4"	REEL	800'	144	1.03"	1.05"	.82"	.84"	.21"
HF11	1"	---	100'	25	1.29"	1.315"	1.041"	1.066"	.25"
HF11R	1"	REEL	500'	160	1.29"	1.315"	1.041"	1.066"	.25"
HF1114	1-1/4"	---	100'	33	1.63"	1.66"	1.38"	1.41"	.25"
HF1112	1-1/2"	---	50'	23	1.865"	1.90"	1.575"	1.60"	.30"
HF12	2"	---	50'	30	2.34"	2.375"	2.02"	2.045"	.33"

UL TYPE B FLEXIBLE NONMETALLIC LIQUIDTIGHT CONDUIT

- 3/8" through 2" trade sizes
- Use with top-flex nylon connectors straight or right angle
- May also be used with Topaz Die Cast Connectors for liquidtight conduit
- Resists corrosion, abrasion, oil, water, acid, metal shavings, and rough environments
- Resists abuse, pull, and crushing
- Smoothinside for easier wire pulling, no hazardous sharp edges or burrs; will not damage conductors
- For direct burial/poured concrete
- Lightweight and lower installed cost
- Quick installation, cuts with utility knife or PVC cutter (CATALOG #VF28)
- Integral Rigid and flexible PVC construction
- Suitable for indoor/outdoor use:
 - HVAC equipment
 - machine tools
 - motors and controls
 - marine equipment
 - printing equipment
 - pumps refrigeration equipment
- UV rated
- 80° C

LIQUIDTIGHT

TOP-FLEX II TUBING

NON-METALLIC - BLACK



HF214



FEATURES

- Resists corrosion, abrasion, oil, water, acid, metal shavings, and rough environments

APPLICATIONS

- Indoor or outdoor use

STANDARD MATERIAL

- Integral Rigid and flexible PVC construction

PART #	SIZE	MASTER QTY.	WEIGHT/ CASE (LBS.)	OUTSIDE DIAMETER		INSIDE DIAMETER		WALL THICKNESS
				MIN.	MAX.	MIN.	MAX.	
HF214	1/4"	100'	4	.56"	.575"	.385"	.405"	.17"
HF238	3/8"	100'	6	.69"	.71"	.484"	.504"	.21"
HF212	1/2"	100'	8	.82"	.84"	.622"	.642"	.21"
HF234	3/4"	100'	10	1.03"	1.05"	.82"	.84"	.21"
HF21	1"	100'	15	1.29"	1.315"	1.041"	1.066"	.25"
HF2114	1-1/4"	100'	19	1.63"	1.66"	1.38"	1.41"	.25"
HF2112	1-1/2"	50'	22	1.865"	1.90"	1.575"	1.60"	.30"
HF22	2"	50'	60	2.34"	2.375"	2.02"	2.045"	.33"

LIQUIDTIGHT

FLEXIBLE LIQUIDTIGHT CONDUIT

METALLIC - COIL



6101

FEATURES

- Crush and corrosion resistant steel core for lasting mechanical protection
- EF PVC jacket is oil and sunlight resistant
- Smooth interior for easy wire pull through

APPLICATIONS

- For use in damp or wet locations, suitable for commercial and industrial use
- Non UL

STANDARD MATERIAL

- EF PVC jacketed steel core coil wrapped in clear plastic shrink wrap

PART #	SIZE	FEET COIL	MASTER QTY.	WEIGHT/ CASE (LBS.)	INSIDE DIAMETER		OUTSIDE DIAMETER	
					MIN.	MAX.	MIN.	MAX.
6100	3/8"	100'	100'	16	.484"	.504"	.689"	.709"
6101	1/2"	100'	100'	26	.622"	.642"	.819"	.839"
6102	3/4"	100'	100'	31	.815"	.835"	1.032"	1.051"
6103	1"	100'	100'	44	1.032"	1.055"	1.287"	1.315"
6104	1-1/4"	50'	50'	46	1.37"	1.394"	1.63"	1.661"
6105	1-1/2"	50'	50'	35	1.579"	1.598"	1.866"	1.902"
6106	2"	25'	25'	22	2.02"	2.043"	2.339"	2.374"
6106C50	2"	50'	50'	49	2.02"	2.043"	2.339"	2.374"
6107	2-1/2"	25'	25'	42	2.48"	2.504"	2.839"	2.874"
6108	3"	25'	25'	53	3.071"	3.102"	3.461"	3.50"
6109	3-1/2"	25'	25'	55	3.50"	3.54"	3.96"	4"
6110	4"	25'	25'	57	4"	4.039"	4.457"	4.50"

METALLIC - REEL



6101R

FEATURES

- Crush and corrosion resistant steel core for lasting mechanical protection
- EF PVC jacket is oil and sunlight resistant
- Smooth interior for easy wire pull through

APPLICATIONS

- For use in damp or wet locations, suitable for commercial and industrial use
- Non UL

STANDARD MATERIAL

- EF PVC jacketed steel core coil on reel

PART #	SIZE	FEET REEL	MASTER QTY.	WEIGHT/ CASE (LBS.)	INSIDE DIAMETER		OUTSIDE DIAMETER	
					MIN.	MAX.	MIN.	MAX.
6100R	3/8"	1000'	1000'	182	.484"	.504"	.689"	.709"
6101R	1/2"	1000'	1000'	296	.622"	.642"	.819"	.839"
6102R	3/4"	500'	500'	148	.815"	.835"	1.032"	1.051"
6103R	1"	200'	200'	96	1.032"	1.055"	1.287"	1.315"
6104R	1-1/4"	200'	200'	192	1.37"	1.394"	1.63"	1.661"
6105R	1-1/2"	100'	100'	79	1.579"	1.598"	1.866"	1.902"
6105R150	1-1/2"	150'	150'	120	1.579"	1.598"	1.866"	1.902"
6106R	2"	100'	100'	96	2.02"	2.043"	2.339"	2.374"

FLEXIBLE LIQUIDTIGHT CONDUIT

METALLIC - COIL



6100UL



FEATURES

- Crush and corrosion resistant steel core for lasting mechanical protection
- Durable PVC jacket is oil, heat and sunlight resistant(UV)
- Smooth interior for easy wire pull through
- 3/8" thru 1-1/4" with continuous bonding strip

APPLICATIONS

- For use in damp or wet locations, suitable for commercial and industrial use
- Listed for direct burial and in poured concrete

STANDARD MATERIAL

- PVC jacketed steel core coil wrapped in clear plastic shrink wrap

PART #	SIZE	FEET COIL	SHIP CASE	WEIGHT/ CASE (LBS.)	INSIDE DIAMETER		OUTSIDE DIAMETER		OUTSIDE DIAMETER PVC JACKET	
					MIN.	MAX.	MIN.	MAX.	MIN.	MAX.
6100UL	3/8"	100'	100'	25	.484"	.504"	.594"	.614"	.690"	.710"
6101UL	1/2"	100'	100'	29	.622"	.642"	.732"	.765"	.820"	.840"
6102UL	3/4"	100'	100'	41	.82"	.84"	.930"	.96"	1.03"	1.05"
6103UL	1"	100'	100'	55	1.04"	1.066"	1.201"	1.226"	1.29"	1.315"
6104UL	1-1/4"	50'	50'	33	1.38"	1.41"	1.54"	1.57"	1.63"	1.66"
6105UL	1-1/2"	50'	50'	54	1.575"	1.60"	1.735"	1.77"	1.865"	1.90"
6106UL	2"	25'	25'	32	2.02"	2.045"	2.18"	2.215"	2.34"	2.375"
6107UL	2-1/2"	25'	25'	46	2.48"	2.505"	2.64"	2.675"	2.84"	2.875"
6108UL	3"	25'	25'	56	3.07"	3.10"	3.295"	3.335"	3.46"	3.50"
6109UL	3-1/2"	25'	25'	69	3.50"	3.54"	3.72"	3.789"	3.96"	4"
6110UL	4"	25'	25'	80	4"	4.22"	4.22"	4.28"	4.46"	4.50"

METALLIC - REEL



610RUL



FEATURES

- Crush and corrosion resistant steel core for lasting mechanical protection
- Durable PVC jacket is oil, heat and sunlight resistant(UV)
- Smooth interior for easy wire pull through
- 3/8" thru 1-1/4" with continuous bonding strip

APPLICATIONS

- For use in damp or wet locations, suitable for commercial and industrial use
- Listed for direct burial and in poured concrete

STANDARD MATERIAL

- PVC jacketed steel core coil on reel

PART #	SIZE	FEET REEL	SHIP CASE	WEIGHT/ CASE (LBS.)	INSIDE DIAMETER		OUTSIDE DIAMETER		OUTSIDE DIAMETER PVC JACKET	
					MIN.	MAX.	MIN.	MAX.	MIN.	MAX.
6100RUL	3/8"	1000'	1000'	272	.484"	.504"	.594"	.614"	.69"	.71"
6101RUL	1/2"	1000'	1000'	312	.622"	.642"	.732"	.765"	.82"	.84"
6101RUL500	1/2"	500'	500'	156	.622"	.642"	.732"	.765"	.82"	.84"
6102RUL	3/4"	500'	500'	229	.82"	.84"	.93"	.96"	1.03"	1.05"
6103RUL	1"	200'	200'	127	1.04"	1.066"	1.201"	1.226"	1.29"	1.315"
6104RUL	1-1/4"	200'	200'	155	1.38"	1.41"	1.54"	1.57"	1.63"	1.66"
6105RUL	1-1/2"	100'	100'	130	1.575"	1.60"	1.735"	1.77"	1.865"	1.90"
6106RUL	2"	100'	100'	154	2.02"	2.045"	2.18"	2.215"	2.34"	2.375"

LIQUIDTIGHT



Southwire™

LIQUIDTIGHT CATALOG

GET SOCIAL WITH US:



/SOUTHWIRETOOLS
/SOUTHWIRETOOLSLATINO



@SOUTHWIRETOOLS



@SOUTHWIRETOOLS



SOUTHWIRETOOLS

SOUTHWIRE.COM | 1-855-SWTOOLS

All Trademarks or Registered Trademarks (TM/®) are owned or licensed by Southwire Company.
Any other TM/® - Trademark or Registered Trademark of Southwire Company.