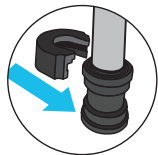
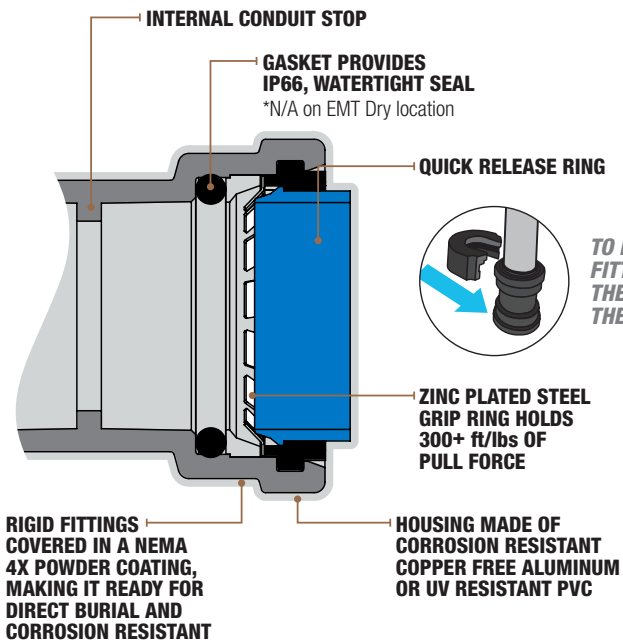


## RIGID CONNECTORS

Southwire® SIMPush™ Rigid connectors are used in dry or wet locations to connect the end of UL-approved threaded or non-threaded, RMC, IMC, GRC, ARC and rigid stainless-steel conduit to metal boxes. Removable and reusable with SIMPush™ removal tool.

### FEATURES:

- Corrosion-resistant copper-free diecast aluminum construction
- Raintight to prevent water from getting into conduit, box, or enclosure
- IP66 – Dust tight and protects against powerful jetting water
- Concrete-tight
- Provides continuous ground
- Powder-coated externally for corrosion resistance
- Internally coated with lubricating grease
- Tested to 100 removal cycles for reuse
- Locking teeth are constructed from zinc-plated steel
- Includes zinc-plated steel lock nut
- Works with threaded or unthreaded conduit



**TO REMOVE THE SIMPush™ FITTING, SIMPLY SLIDE THE REMOVAL TOOL ONTO THE COLLAR AND PULL**

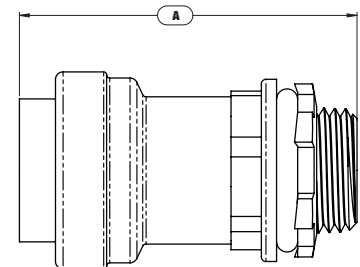
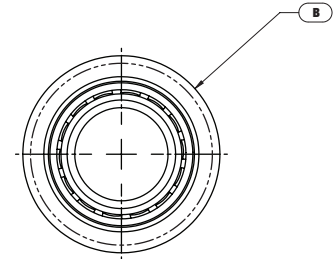
## 1/2" – 2"



**CERTIFICATIONS/RATINGS:**  
**NEMA FB RATED (4X)**  
**E-FILE #: E474447**



RMCMBX050, RMCMBX075, RMCMBX100,  
RMCMBX125, RMCMBX150, RMCMBX200



Stock #	Model #	Trade Size	Quantity Per Box	H (in.) A	W (in.) B	L (in.) B	Associated Removal Tool Model #	Removal Tool Included
<b>CONTRACTOR PACK</b>								
65077902	R-BC-050WT	1/2"	35	2.235	1.298	1.298	R-RT-P1	YES
65078002	R-BC-075WT	3/4"	25	2.264	1.498	1.498	R-RT-P1	YES
65078102	R-BC-100WT	1"	15	2.64	1.795	1.795	R-RT-P2	YES
65078202	R-BC-125WT	1-1/4"	10	3	2.29	2.29	R-RT-P2	YES
65078302	R-BC-150WT	1-1/2"	6	3.436	2.566	2.566	R-RT-P3	YES
65078402	R-BC-200WT	2"	5	3.6	3.06	3.06	R-RT-P3	YES

Project Name:

Contractor:

Address:

**BUILT FOR DURABILITY.  
BUILT FOR RELIABILITY.  
BUILT FOR WORK.™**

1-855-798-6657 | [SOUTHWIRETOOLS.COM](http://SOUTHWIRETOOLS.COM)

©2020 Southwire Company, LLC. All rights reserved.  
\*Registered Trademark & ™Trademark of Southwire Company, LLC.