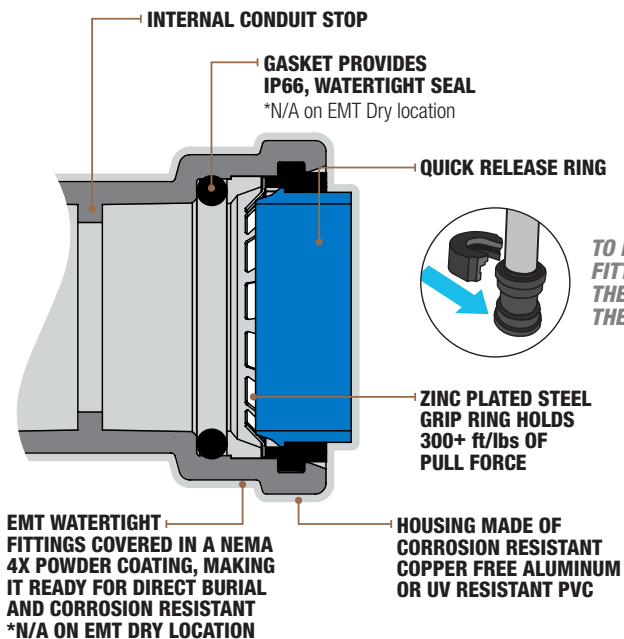


EMT COUPLINGS

Southwire® SIMPush™ EMT couplings are used in dry locations to join two ends of UL-approved thin wall EMT conduit. Removable and reusable with SIMPush™ removal tool.

FEATURES:

- Corrosion-resistant copper-free diecast aluminum construction
- Provides continuous ground
- Internally coated with lubricating grease
- Tested to 100 removal cycles for reuse
- Locking teeth are constructed from zinc-plated steel



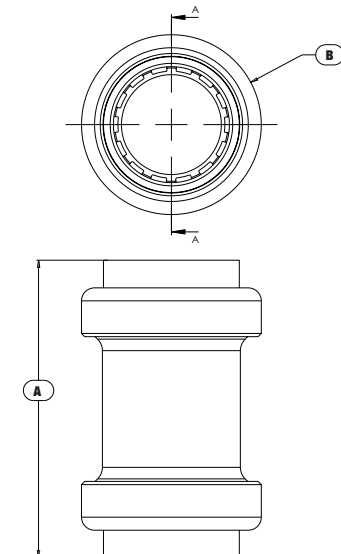
1/2" – 2"



CERTIFICATIONS/RATINGS:
E-FILE #: E474447



DFTSC050, DFTSC075, DFTSC100,
DFTSC125, DFTSC150, DFTSC200



Stock #	Model #	Trade Size	Quantity Per Box	H (in.) A	W (in.) B	L (in.) B	Associated Removal Tool Model #	Removal Tool Included
CONTRACTOR PACK								
65070302	E-CP-050WT	1/2"	40	1.749	1.105	1.105	E-RT-1P	YES
65070402	E-CP-075WT	3/4"	30	1.939	1.282	1.282	E-RT-1P	YES
65070602	E-CP-100WT	1"	20	2.011	1.6	1.6	E-RT-P2	YES
65070702	E-CP-125WT	1-1/4"	20	2.273	2.09	2.09	E-RT-P2	YES
65070802	E-CP-150WT	1-1/2"	12	3.18	2.35	2.35	E-RT-P3	YES
65070902	E-CP-200WT	2"	6	3.772	2.9	2.9	E-RT-P3	YES

Project Name:

Contractor:

Address:

**BUILT FOR DURABILITY.
BUILT FOR RELIABILITY.
BUILT FOR WORK.™**

1-855-798-6657 | SOUTHWIRETOOLS.COM

©2020 Southwire Company, LLC. All rights reserved.
*Registered Trademark & ™Trademark of Southwire Company, LLC.